

RELATED STANDARDS

FAA AC 150/5345-46 L-804
ICAO Annex 14 Vol. I Para. 5.3.23
IEC TS 61827
STANAG 3316

APPLICATIONS

• Unidirectional high intensity flashing yellow lights used in pairs as a warning to pilots and drivers of vehicles when they are operating on taxiways, that they are about to enter a runway

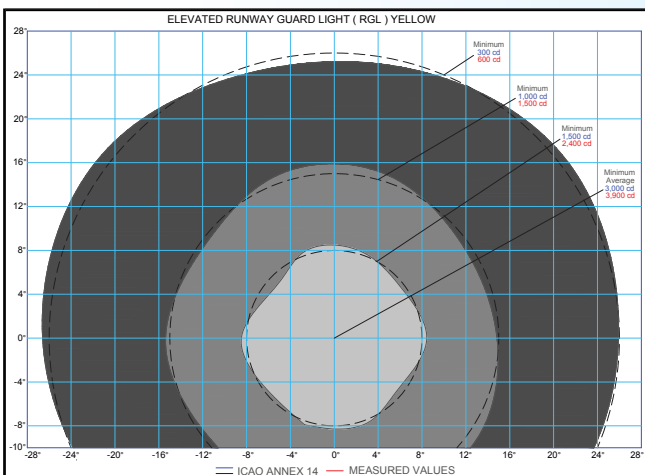
IMPORTANT FEATURES

- Alternate flash rates 45-50 fpm
- Long lamp life LED fixture has an average life of 50000 hours at high intensity
- Easy maintenance with on/off switch and circuit breaker
- Easily mounted with frangible coupling
- Supplied with tether to keep from breaking loose
- Resist jet blasts up to 480 km/h
- The two light sources are surrounded by a black face plate and independent visors to reduce the amount of reflecting sunlight
- Monitoring is available

ELECTRICAL SUPPLY

Through 45 W isolating transformer

PHOTOMETRIC PERFORMANCE

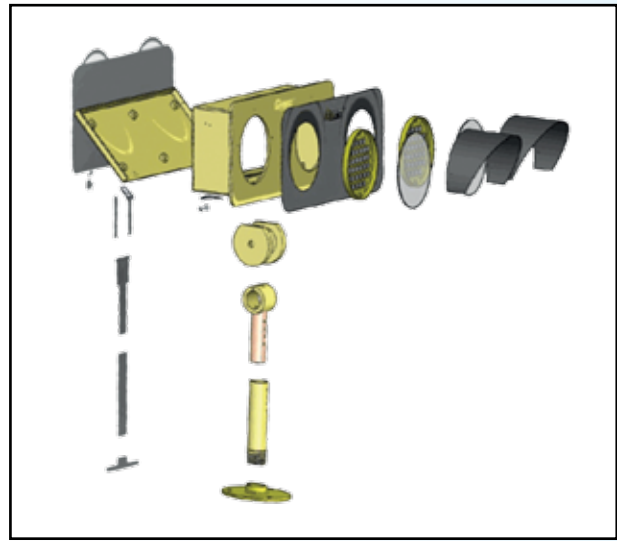


MATERIALS & FINISH

Chromate treatment and electrostatic powder coating.
The color is aviation yellow and hardware is made of stainless steel.



CONSTRUCTION



WEIGHT

Net weight is 14 kg. Dimensions: 70 x 70 x 40

PACKING INFO

In cardboard boxes of : 84,5 x 78 x 50 cm. / 20 kg.