


RELATED STANDARDS

FAA AC 150/5345-46 L-850B
ICAO Annex 14 Vol. I Para. 5.3.13
IEC TS 61827
STANAG 3316

APPLICATIONS

- As unidirectional touchdown zone light in CAT II & III conditions

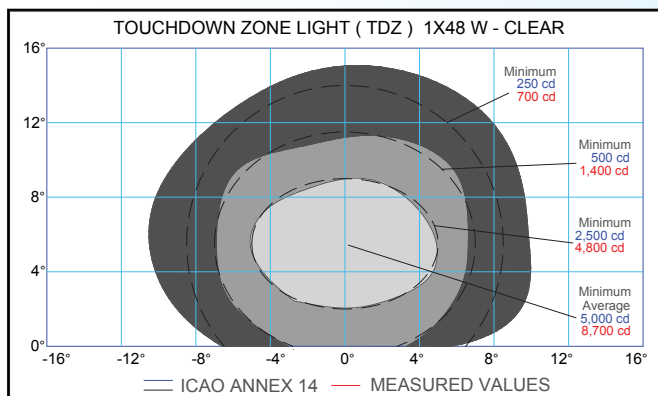
IMPORTANT FEATURES

- ETL Certified (L850B-TDZ-3-1-48W) 
- IEC TS 61827 Certified
- Member of an extensive range of FAA Approved 12 inch diameter inset lights
- Equipped with one 48 W 6,6 A halogen pre-focused dichroic reflector lamps.
- Long lamp life 1500 hours at full intensity (6.6 A) increases to 2000-4000 hours in practice as the light usually operates at lower intensities.
- Needs very little maintenance with its aluminium body and optics, high temperature resistant wiring, gasket and front glass and stainless steel screws
- Lamp can be changed from the back easily without removing the reflector and front glass, no special equipment is needed.
- Optical adjustment is done easily by two screws
- Low rising smooth outer surface
- Can be installed directly on a 12 inch shallow base, on a L-868 Size B deep base or by means of an adapter ring on a L-868 Size C deep base

ELECTRICAL SUPPLY

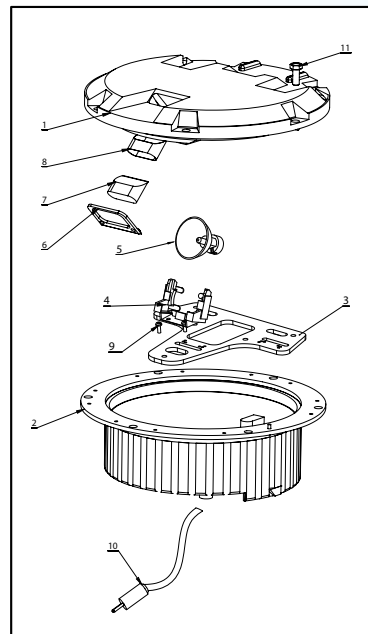
Through one 45 W isolating transformer

PHOTOMETRIC PERFORMANCE



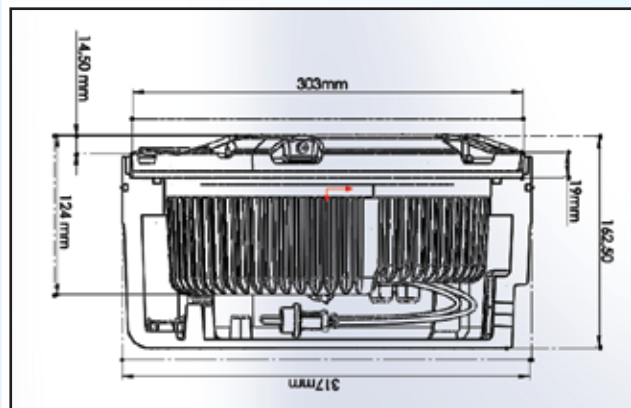
MATERIALS & FINISH

Aluminium alloy cover, inner cover and optical assembly.
Hardware is made of stainless steel.



CONSTRUCTION

1. Forged aluminium cover
2. Cast aluminium inner cover
3. Optical assembly
4. Lamp holder
5. 48 W prefocus halogen lamp
6. Prism retainer
7. Prism
8. Prism gasket
9. Optical adjustment screws
10. 2 pole FAA L-823 plug
11. Screw with washer



WEIGHT

Net weight is 8 kg.

PACKING INFO

In cardboard boxes of 33 x 33 x 16,5 cm.