



#### RELATED STANDARDS

- ICAO Annex 14 Vol. I
- ICAO Annex 14 Vol. II Heliports
- FAA AC150/5345-50
- UK CAA CAP 168
- NATO Stanag 3534 and 3619
- EASA ADR

#### APPLICATIONS

The HA-PL5 is a versatile and portable airfield light designed for user-friendly operation. Rechargeable via the HA-charger station, it comes in configurations supporting 5, 8, or 18 lights. For larger needs, the HA-trailer kit can recharge up to 72 lights. The standard HA-PL5 features manual controls, with advanced options such as radio control and stealth mode available to meet diverse operational requirement.

#### IMPORTANT FEATURES

**ENCLOSURE:** Colour impregnated, impact resistant, glass fiber reinforced plastic (GRP) in Aviation Yellow RAL 1021, NATO green RAL 6031 or Black RAL 9005

**DIMENSIONS:** 164 x 164 x 240 mm

**WEIGHT:** 6.7 kg

**LENS:** Borosilicate glass

**LENS COLOURS:** Interchangeable: Clear, red, green, blue, yellow or split colour

**LIGHT SOURCE:** High power LED: white, red, green, blue, yellow or infrared

**LIGHT INTENSITY:** High intensity: 32 hours, Low intensity: 65 hours

**BATTERY TYPE:** Sealed lead acid battery 12v, 12Ah

**CHARGING TIME:** < 12 hours

#### REMOTE CONTROL OPTIONS:

- Handheld 2.4Ghz (range without obstruction up to 2000m to the nearest light), MESH system range > 10km
- Pilot Activated Lighting controller VHF radio

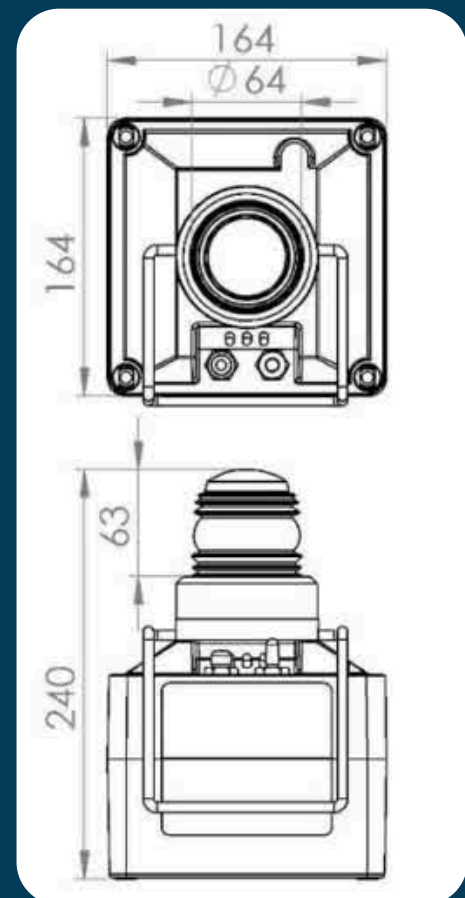
**INGRESS PROTECTION:** IP 67 (casing)

#### TESTS:

- Jet Blast test > 400 km/h (> 250 mph)
- Impact test
- Drop tests (0,7-1,00 and 2,00m height)
- Battery endurance
- Light output
- Climatic conditions
- Electromagnetic Compatibility tests

**HS CODE (CUSTOM TARIFF):** 85043200

## Portable Airfield and Helipad Light & Portable HA-PL5 Charger Station





## APPLICATIONS

The HA-PL5 Trailer is a road-going charging station, designed to charge, store and deploy portable airfield lights of type HA-PL5.

By simply dropping the lights in the charger bays and switching on the battery charger, the portable lights will be charged within <16 hours.

## IMPORTANT FEATURES

### TOP STRUCTURE:

AlMg4,5 powder coated

### COLOUR:

Civil Yellow RAL 1021, Military NATO Green RAL 6031 (or any colour on request)

### DIMENSIONS:

4,02 x 1,59 x 1,26 m (see other side for dimensions)

### WEIGHT:

- Complete with lights: 1075 kg
- Without lights: 600 kg
- Max allowed: 1300 kg

### TIRE SIZE: 185/70R13

### INPUT VOLTAGE: 100–240V

### FREQUENCY RANGE: 50–60 Hz

### PLUG: Standard Euro contact plug

### POWER CONSUMPTION:

- One side loaded (36 HA-PL5 lights): 1730W max
- Both sides loaded (72 HA-PL5 lights): 3460W max

### AC CURRENT AT 240V AC:

- One side loaded (36 HA-PL5 lights): 7.2 A
- Both sides loaded (72 HA-PL5 lights): 14.4 A

### RECHARGING: < 16 hours

### INGRESS PROTECTION: IP44 (cover closed)

### AMBIENT TEMPERATURE: -20°C to +50°C

### HS CODE (CUSTOMS TARIFF): 87164000

